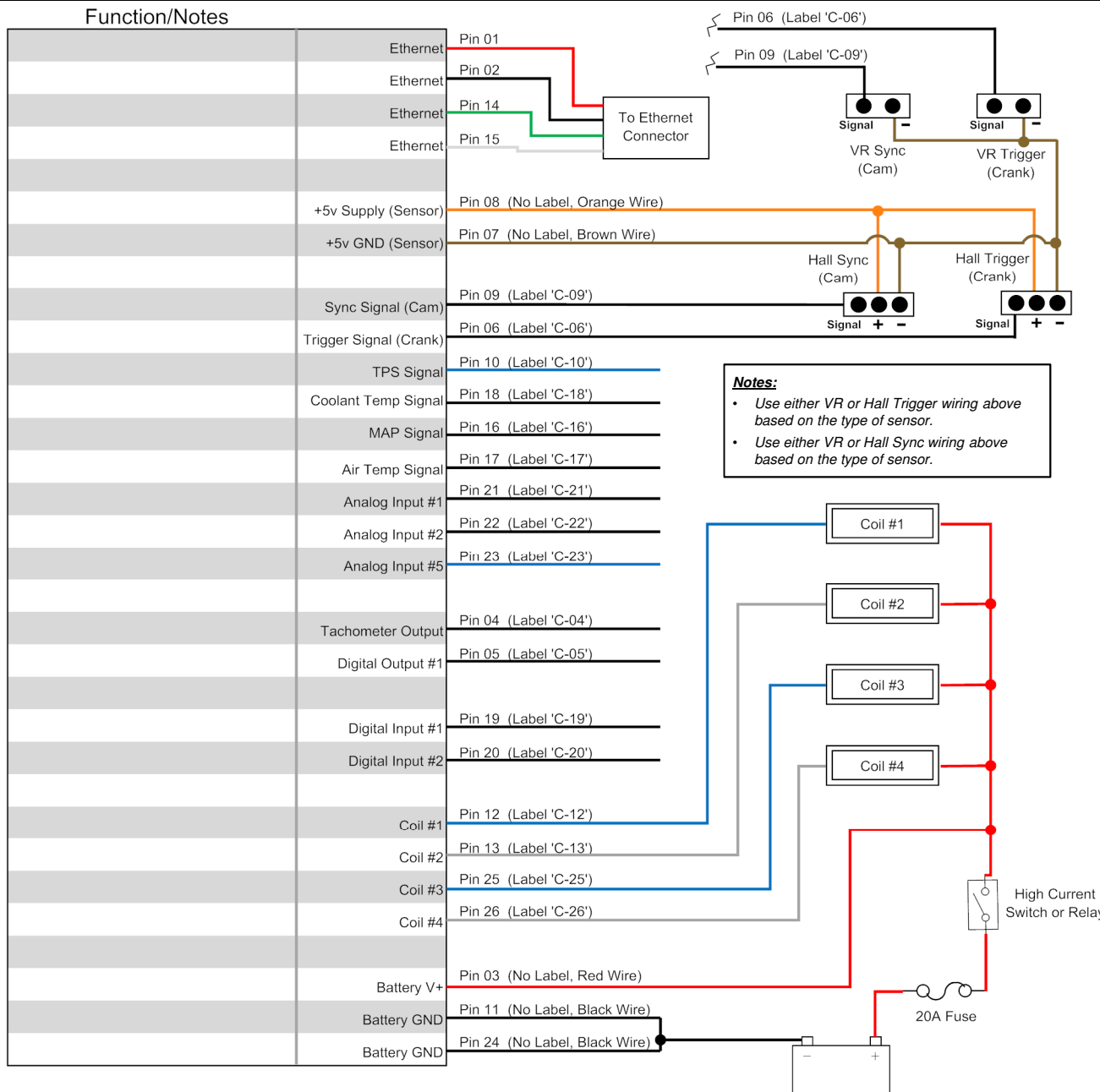


**AN601 – Application Note**  
**PE3-IG001 Example wiring for 4-cyl individual coil application, basic**  
**Release Date 2/28/14**



**Summary:**

This document provides a basic example for wiring a 4-cylinder individual coil ignition system using the PE3-IG001 programmable ignition controller. Other wiring variations are possible with the PE3-IG001. Please contact Performance Electronics with questions.



The 26-pin main connector for the PE3-IG001 unit is shown in the diagram.

It is the end user's responsibility to verify the wiring for his or her particular application as well as to size the wire and components shown in the diagram for the expected current.

**Looking Into the Connector on the ECU**

